

Examples of logo printed Mini-Butts

Various Print Options

Because the world is not an ashtray.

① ② ③ = number of prints



②



③



①



③



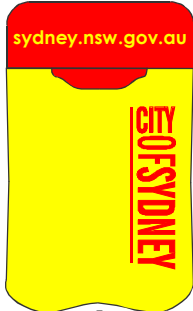
③



②



②



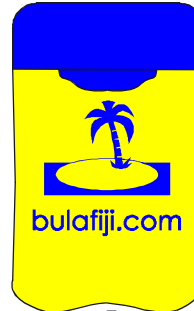
②



①



①



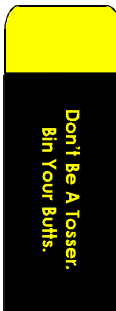
①



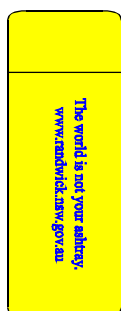
①



③



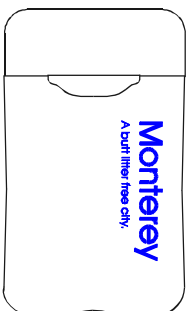
③



②



②



③



②



②



①



①

Please note that **Reverse-Printing** in same colour is processed as a single print with no additional charge. (Examples: CFA, Greater Taree, Strathfield, Upper Hunter)

We are able to produce required art-work in any combination of colours and graphics.
NB: To assure print quality a hi-res (min 300dpi) JPG and EPS must be supplied by client.

Please note that actual Mini-Butt print is SUPERIOR in resolution to the pdf examples above.



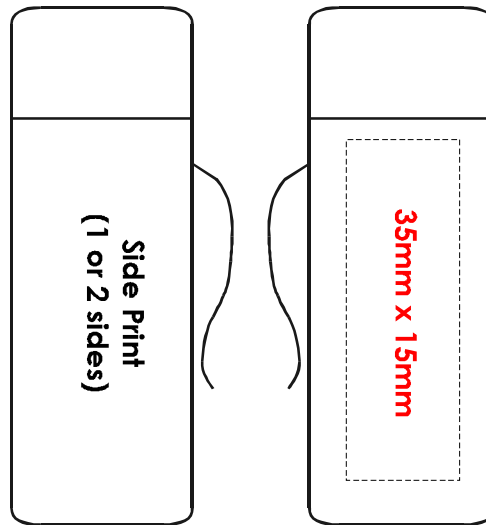
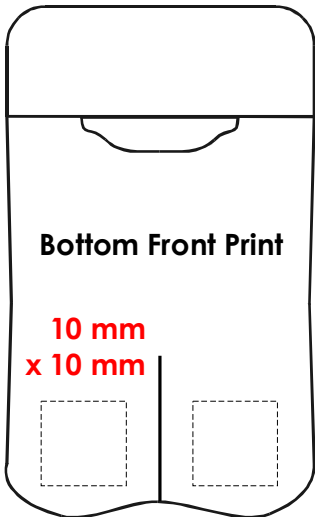
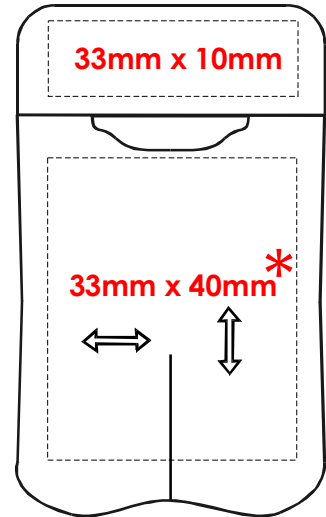
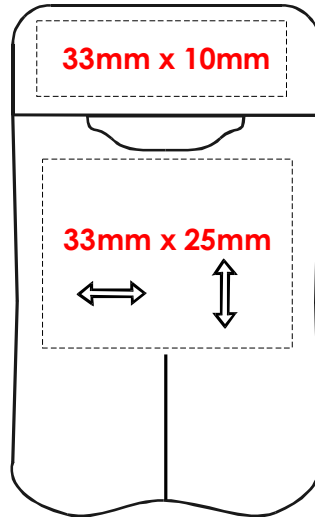
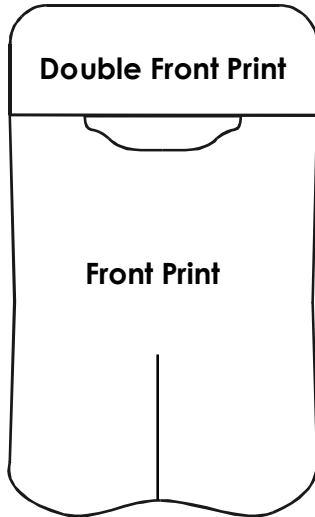
...because the world is not an ashtray.

Print Options & Dimensions

Mini-Butts Personal Ashtrays have many printing options:-

- Front Print
- Top-Front Print
- Bottom Front Print (1 or both sides)
- Side Prints (1 or 2 sides)

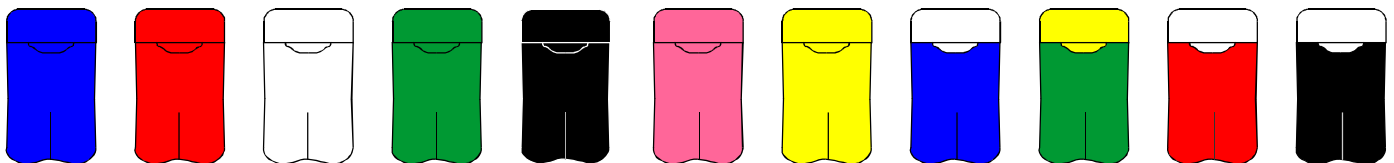
Print Options



* Minor distortion to art may occur when printed over butt crack.

Please Note:
Each print location &/or colour is a separate print.

Mini-Butts Personal Ashtrays are available in over 400 colours and combinations including:



We are able to produce required art-work in any combination of colours and graphics.

NB: To assure print quality a hi-res (min 300dpi) jpg or tif must be supplied by client.

Please note that pdf artwork samples resolution is inferior to actual print.

Call: 1300-NOBUTTS
The Butts **Stop** Here.

nobutts.com.au
The Butts **Stop** Here.

